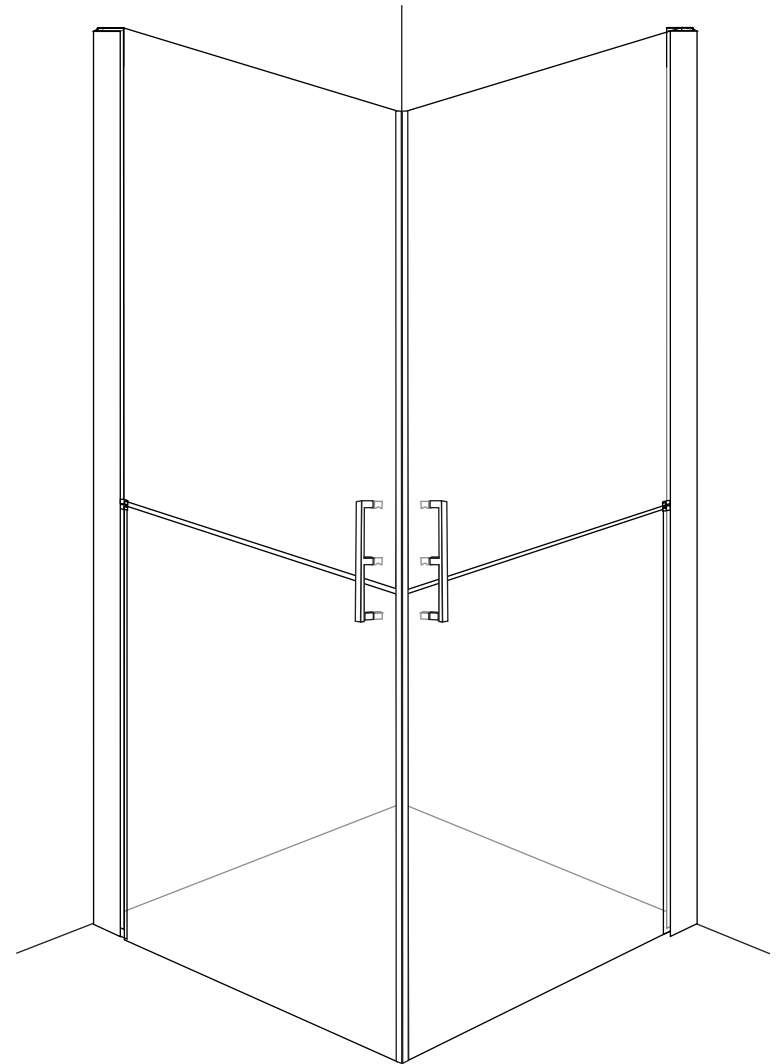


Installation Operation Manual
WL-7002



SIZE:90x90x190cm

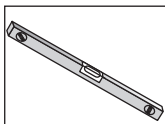
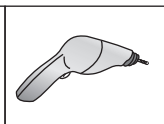
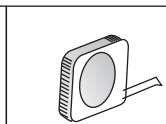
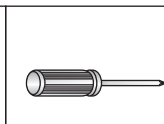

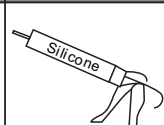
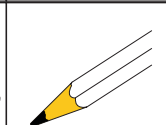

Important Reminder

1. Please install the shower enclosure according to the instruction strictly, otherwise, it will affect the operational performance.
2. After opening the carton, please check the parts according to the part list.
3. Please handle the glass parts carefully, don't knock on the glass to avoid damage.
4. After installation completely, please use it after 24 hours.

Notice

1. Do not let children, old people or disabled people enter the room alone.
2. Do not climb or hang heavy things on the shower enclosure.
3. Do not knock and impact the glass with heavy things.
4. Caution slippery on the inside of the shower enclosure.
5. Ordinary liquid detergent should be used with a soft cloth for cleaning.
6. Apply silicone to prevent water leakage.
7. Keep the tray clean, avoid hair and sundries to jam the drain.

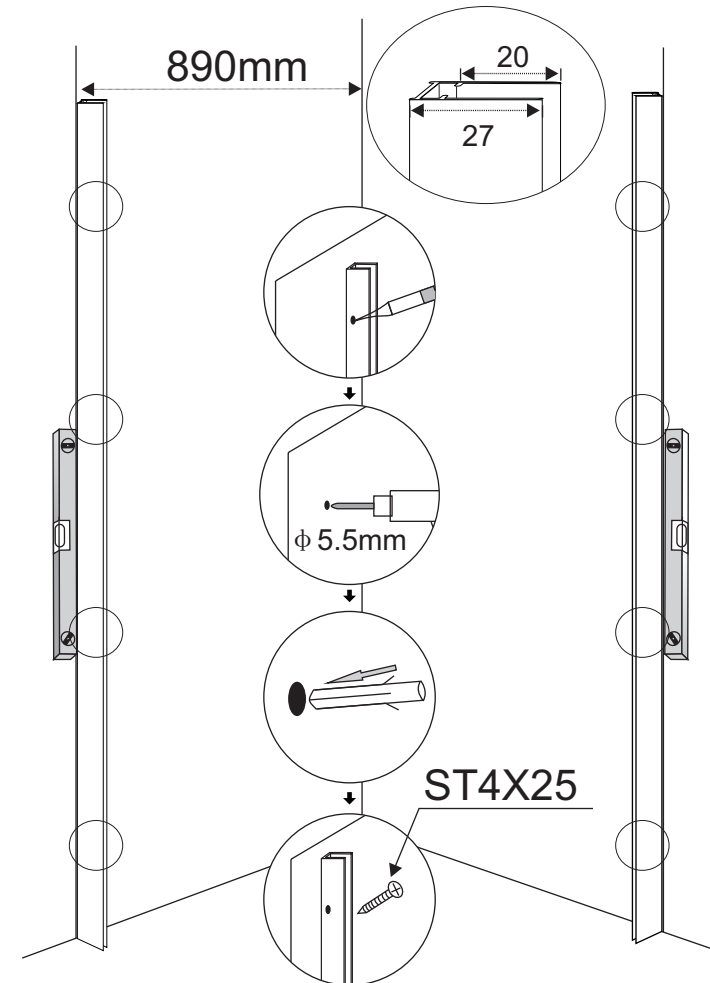
Tools:

			
Spirit Level	5.5mm drill	Tape measure	Cross screw driver
			
Scissors	Silicone Gun	Pencil	Rubber mallet

Installation Procedure

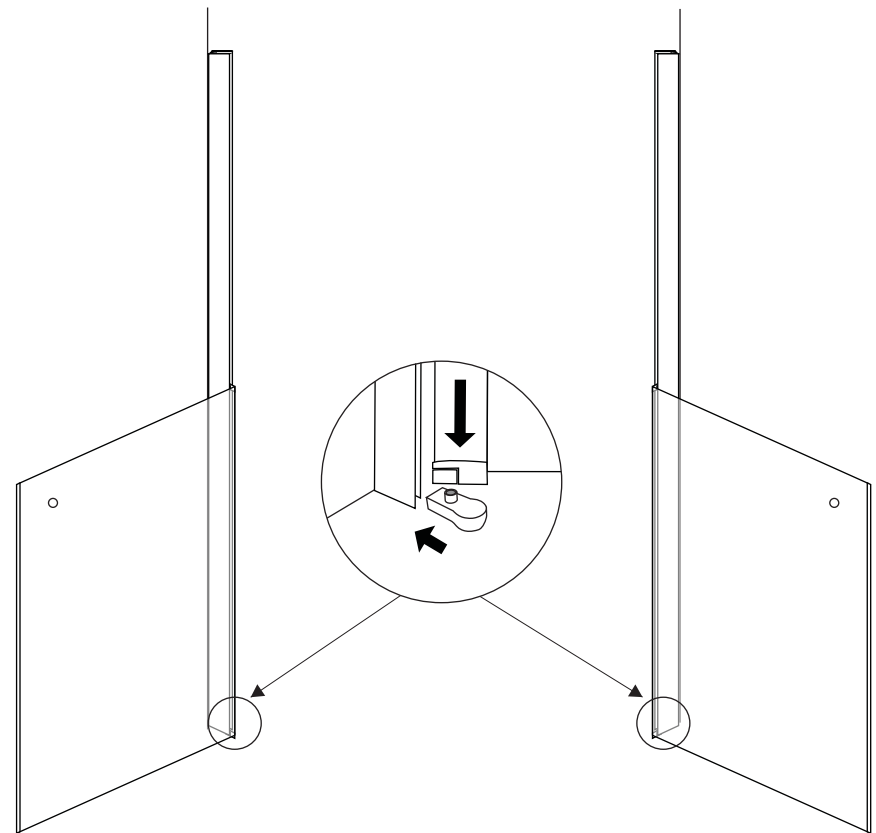
STEP1:

Wall profiles assembling



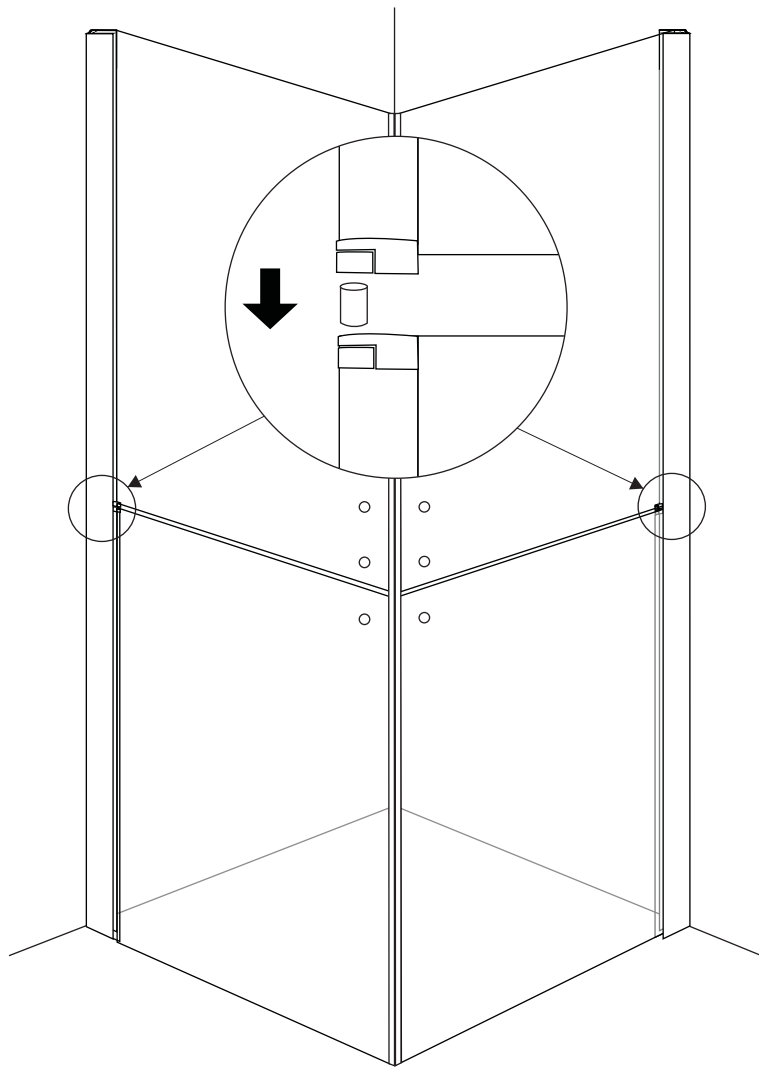
- Measure the correct distance from the corner to the required positions of the outside of the wall profiles and mark this position on the wall with a pencil.
- Position the wall profiles against these marks and use a spirit level to ensure they are vertical.
- Using the wall profiles as a template, mark the positions of the pre-drilled holes on the wall.
- Drill the positions marked using a 5.5m drill bit.
- Use a rubber mallet to insert the wall plugs into the holes.
- Fix the wall profiles with screws 4x25mm.

STEP2: Fixed glass panels Assembling

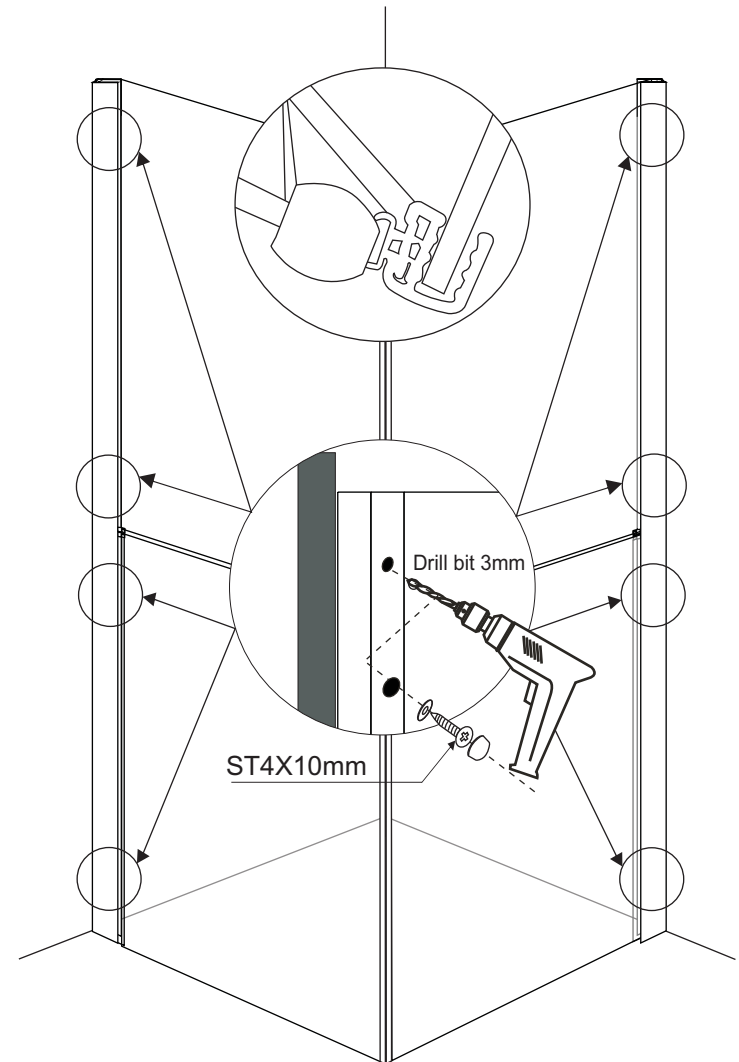


-Insert the fixed glass panel into the wall profile.

STEP3: Fixed glass panels Assembling

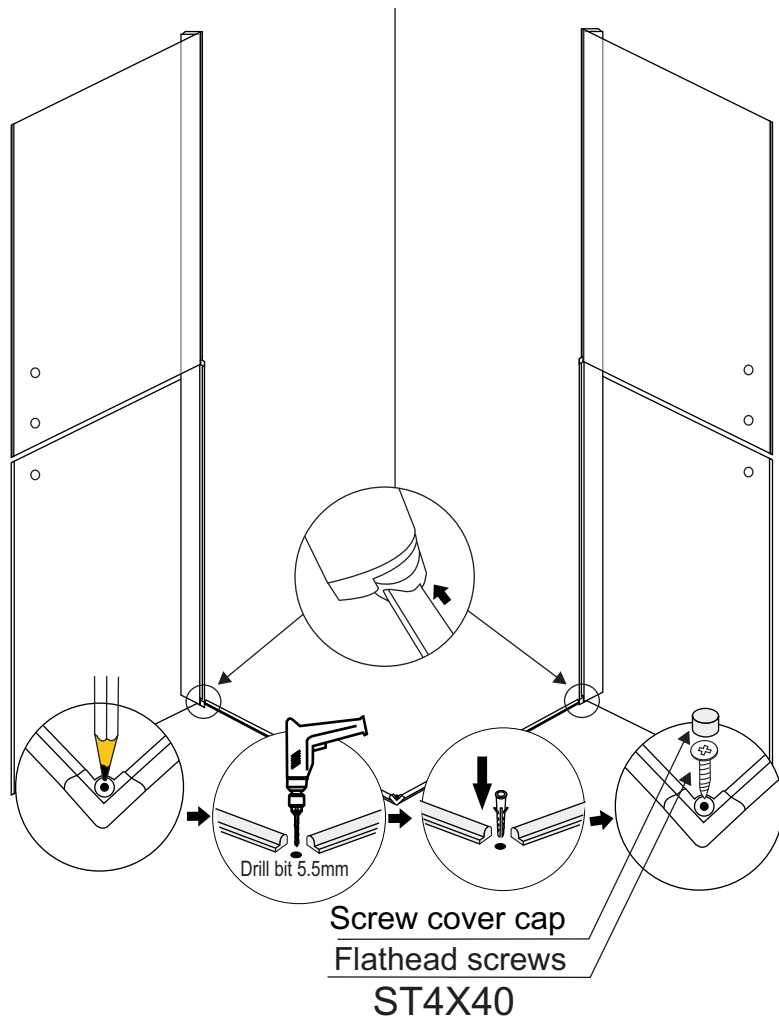


STE4: Fixing Wall Profiles



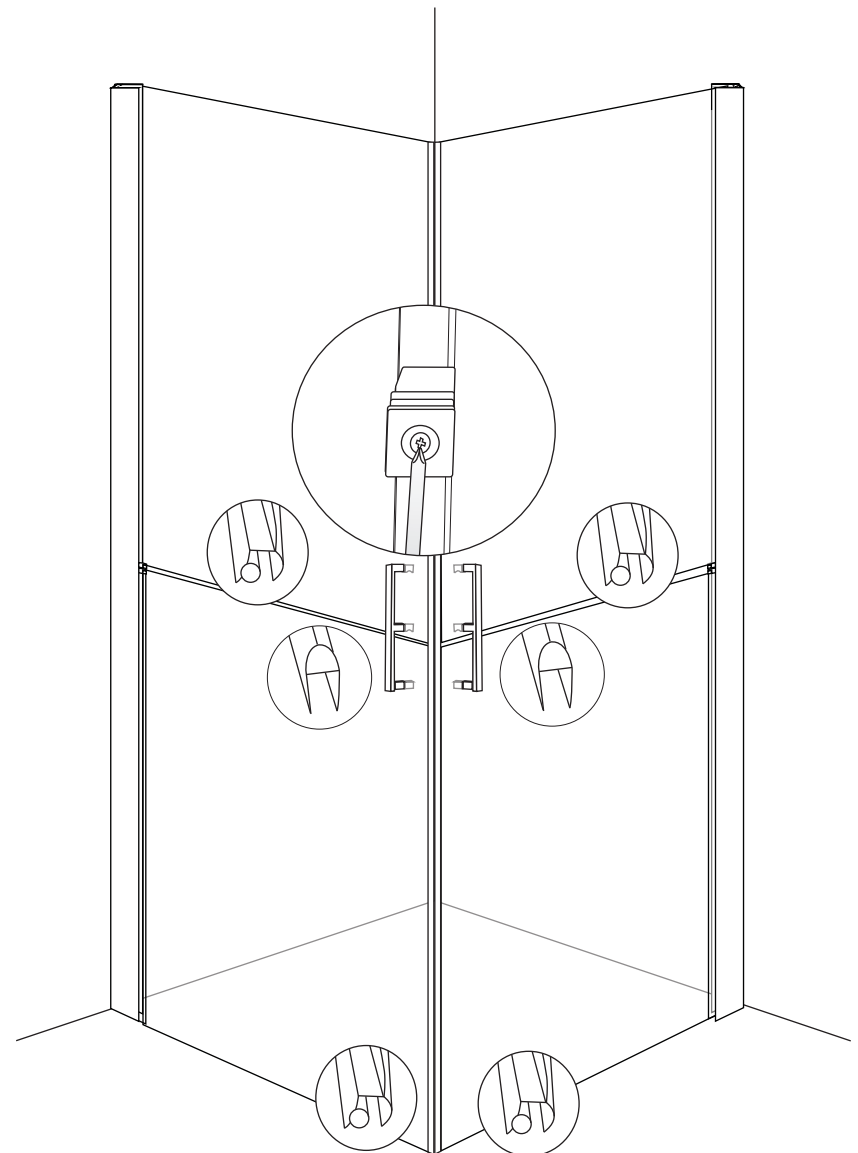
- Drill holes with 3mm bit on wall profile.
(Note: Donot drill through the profiles,
otherwise, it will damage the profile's surface.)
- Fix it with screw washer and screw 4x10mm.
Put the screw covers on.

STEP5: Bottom Rails Assembling

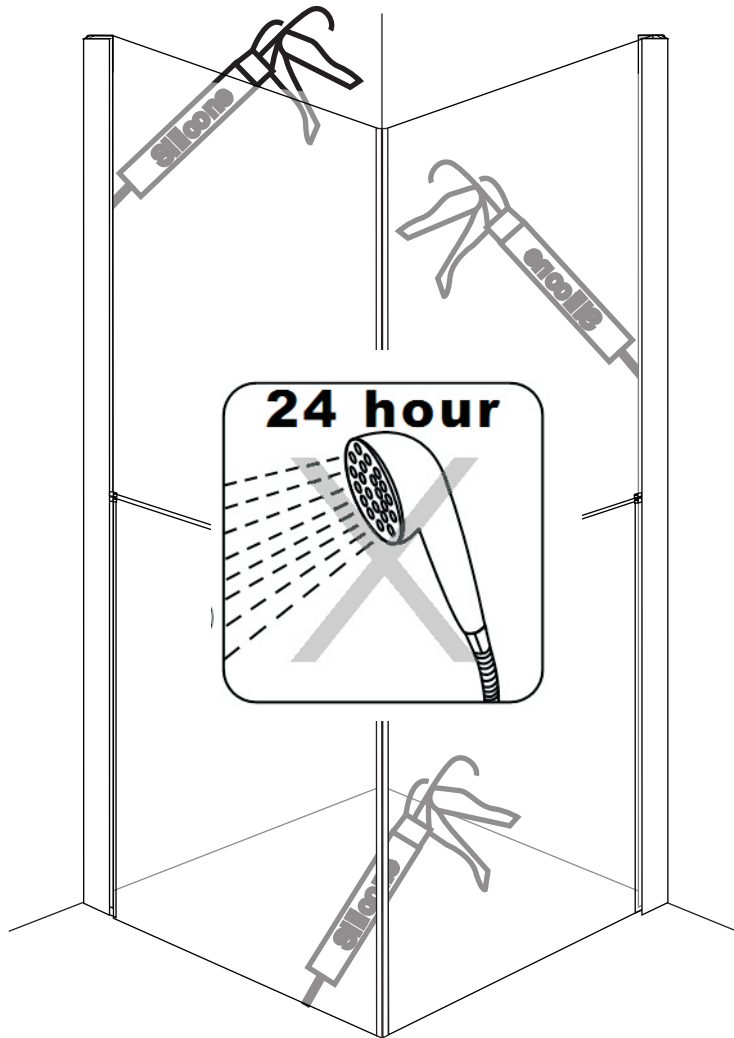


-Fixed the glass clip to the fixed glass panel, and then insert the two aluminum frame to the glass clip, connect two aluminum frame with corner connector, make sure 90 degree, then fixed them with screw ST4*40

STE6: Handle installation



STE7:
Silicone Application



- Apply silicone sealant to all joints between wall profiles and tray.
- Do not use the enclosure for 24hours, to allow the silicone to dry completely.